

Accessories

BATTERY CONNECTORS



VOLTAGE COLOR COMBINATIONS

All S-connectors can function until 600V DC. When several electric devices with different voltages are used, it's recommended to choose a color code for every voltage! None of these colors are interchangeable! Only connectors with the same color are interchangeable!

The recommended Voltage/color combinations are:

Yellow: 12V	Blue: 48V
Orange: 18V	Green: 72V
Red: 24V	Black: 80V
Grey: 36V	Brown: 96V

DIMENSIONS OF THE BATTERY CONNECTORS

	TYPE	Y	X	H
	SB 50	36,5	47,6	15,9
	SB 175	55,6	79,4	25,4
	SB 350	69,8	108,0	33,3
	SBX 175	71,2	92,2	25,0
	SBX 350	85,7	125,4	33,3
	SBE 160	71,2	92,2	25,4
	SBE 320	85,7	125,4	33,3

SB-SERIES

2 pole connector available in 50, 175 & 350A for usage till 600V DC & AC. SB175 is also available in 3 pole.

SBX-SERIES

2 pole connector available in 175 & 350A for usage till 600V DC & AC. The SBX series have extra option to use auxiliary contacts.

SBE-SERIES

The SBE is a further development of the SBX connector. 2 pole connector available in 80, 160 & 320A for usage till 150V DC & AC.

The SBE160 is also available in 3 poles.

The SBE series have extra option to use auxiliary contacts.



BATTERY CONNECTOR: SB / S 50

TYPE	color	V	cable	REF
SB / S 50	yellow	12V	16 mm ²	BAT/32713
SB / S 50	red	24V	6 mm ²	BAT/45879
SB / S 50	red	24V	16 mm ²	BAT/15995
SB / S 50	grey	36V	16 mm ²	BAT/15790

BATTERY CONNECTOR: SB120

TYPE	color	V	cable	REF
SB120	RED	24V	16mm ²	BAT/49843
SB120	RED	24V	25mm ²	BAT/49842
SB120	RED	24V	35mm ²	BAT/34655
SB120	GREY	36V	16mm ²	BAT/49845
SB120	GREY	36V	25mm ²	BAT/34656
SB120	GREY	36V	35mm ²	BAT/49844
SB120	BLUE	48V	16mm ²	BAT/49847
SB120	BLUE	48V	25mm ²	BAT/34657
SB120	BLUE	48V	35mm ²	BAT/49846





BATTERY CONNECTOR: SB/S175

TYPE	color	V	cable	REF
SB / S 175	yellow	12 V	50 mm ²	BAT/15440
	orange	18 V	50 mm ²	BAT/15996
	red	24 V	50 mm ²	BAT/15997
	grey	36 V	50 mm ²	BAT/15998
	blue	48 V	50 mm ²	BAT/15999



BATTERY CONNECTOR: SB/S350

TYPE	color	V	cable	REF
SB / S 350	yellow	12 V	70 mm ²	BAT/16000
	red	24 V	70 mm ²	BAT/16001
	grey	36 V	70 mm ²	BAT/15478
	blue	48 V	70 mm ²	BAT/16002
	green	72 V	70 mm ²	BAT/16003



BATTERY CONNECTOR: SBE 80

TYPE	color	V	cable	REF
SBE 80	red	24 V	16 mm ²	BAT/16144

**BATTERY CONNECTOR:
SBE / SAE 160 - SBX / SA 176**

TYPE	color	V	cable	REF
SBE / SAE 160	yellow	12 V	50 mm ²	BAT/16008
	orange	18 V	50 mm ²	BAT/16009
	red	24 V	50 mm ²	BAT/15442
SBX / SA 176	grey	36 V	50 mm ²	BAT/15729
	blue	48 V	50 mm ²	BAT/15381
	green	72 V	50 mm ²	BAT/16010
	black	80 V	50 mm ²	BAT/16011

**BATTERY CONNECTOR:
SBE / SAE 160 - SBX / SA 176**

TYPE	color	V	cable	REF
SBE / SAE 160	yellow	12 V	35 mm ²	BAT/16004
	orange	18 V	35 mm ²	BAT/16005
	red	24 V	35 mm ²	BAT/15377
SBX / SA 176	grey	36 V	35 mm ²	BAT/15396
	blue	48 V	35 mm ²	BAT/15397
	green	72 V	35 mm ²	BAT/16006
	black	80 V	35 mm ²	BAT/16007



BATTERY CONNECTOR: SBX / SA 350

TYPE	color	V	cable	REF
SBX / SA 350	yellow	12 V	70 mm ²	BAT/16012
	red	24 V	70 mm ²	BAT/17487
	grey	36 V	70 mm ²	BAT/16014
	blue	48 V	70 mm ²	BAT/15380
	green	72 V	70 mm ²	BAT/16015
	black	80 V	70 mm ²	BAT/16016

REDUCING BUSHING: TYPE SBE 160

cable	REF
4,83 mm ²	BAT/48625



BATTERY CONNECTOR: SBE / SAE 320

TYPE	color	V	cable	REF
SBE / SAE 320	yellow	12 V	70 mm ²	BAT/16017
	orange	18 V	70 mm ²	BAT/16018
	red	24 V	70 mm ²	BAT/16019
	grey	36 V	70 mm ²	BAT/16020
	blue	48 V	70 mm ²	BAT/15441
	green	72 V	70 mm ²	BAT/16021
	black	80 V	70 mm ²	BAT/15819
	brown	96 V	70 mm ²	BAT/16022
	violet	120 V	70 mm ²	BAT/16023

CONTACT SET (2pc)

TYPE	cable	REF
SB / S 50	16 mm ²	BAT/16508
SB / S 175	50 mm ²	BAT/16510
SBE / SAE 160 - SBX / SA 175	35 mm ²	BAT/16514
SBE / SAE 160 - SBX / SA 175	50 mm ²	BAT/16517
SB / S 350	70 mm ²	BAT/16520
SBX / SA 350	70 mm ²	BAT/16523
SBE / SAE 320	35 mm ²	BAT/16526

AUX. CONTACT KIT (2pc)

TYPE	cable	REF
SBX / SAE SBX / SA 175	1-4 mm ²	BAT/15437



Accessories

BATTERY CONNECTORS



BAT/17399 ▶



BATTERY CONNECTOR 3 POLE SB 3175

color	V	cable	REF
grey	36 V	50 mm ²	BAT/16676
Contact set (3 pcs)		50 mm ²	BAT/17747



BATTERY CONNECTOR 3 POLE SBE 3160



color	V	cable	REF
red	24 V	50 mm ²	BAT/17749
blue	48 V	50 mm ²	BAT/17751
Contact set (3 pcs)		50 mm ²	BAT/17753
Handle black			BAT/17399

AUX. CONTACT KIT: SB / SBE / SBX

TYPE	AWG	cable	REF
SB / SBE / SBX	18 - 12	1 - 4 mm ²	BAT/15437
Contact set (2 pcs)			

NYLON HANDLE



TYPE	color	REF
for SB 50	red	BAT/17755



NYLON HANDLE

TYPE	color	REF
for SB / SBX 175 / SBE 160	grey	BAT/15766
	red	BAT/15763
for SB / SBX 350 / SBE 320	grey	BAT/15820
	red	BAT/17330

HANDLE FOR BT

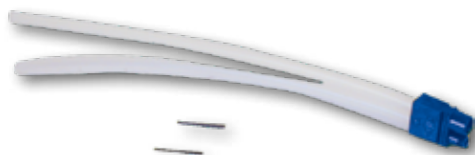


TYPE	color	REF
SBE 160 / SBX 175	black	BAT/17759



HANDLE FOR BT

TYPE	color	REF
SBE 160 / SBX 175	black	BAT/17761



EURO CONNECTOR

AIR SYSTEM

TYPE	REF
SBE 160 / 320 - SBX 175 / 350	BAT/17557

EURO CONNECTOR: V / F FT80



TYPE		cable	REF
FT80	V / F	16 mm ²	BAT/16067
	V / F	25 mm ²	BAT/16068
Contacts (pcs)		16 mm ²	BAT/16556
		25 mm ²	BAT/16559
Aux. contact kit (2 pcs)			BAT/16607
Handle for FT80 (red)			BAT/16624

EURO CONNECTOR: M FT80



TYPE		cable	REF
FT80	M	16 mm ²	BAT/16065
	M	25 mm ²	BAT/16066
Contacts (pcs)		16 mm ²	BAT/16550
		25 mm ²	BAT/16553
Aux. contact kit (2 pcs)			BAT/16604
Handle for FT80 (red)			BAT/16624

**EURO CONNECTOR:
F EURO 80A - DIN 43589**



TYPE		cable	REF
80A	V / F	16 mm ²	BAT/47232
	V / F	25 mm ²	BAT/47233
	V / F	35 mm ²	BAT/47234

**EURO CONNECTOR:
F EURO 80A - DIN 43589
WITHOUT HANDLE**



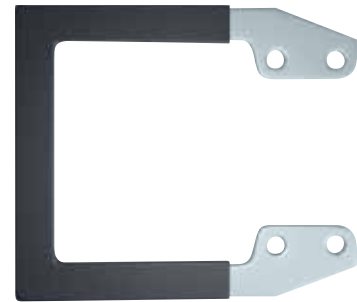
TYPE		cable	REF
80A	V / F	16 mm ²	BAT/16070
	V / F	25 mm ²	BAT/15453
Contacts (pcs)		16 mm ²	BAT/16568
		25 mm ²	BAT/16571
Aux. contact kit (2 pcs)			BAT/16613
Handle for 80A (black)			BAT/15384

**EURO CONNECTOR:
M EURO 80A - DIN 43589
WITHOUT HANDLE**



TYPE		cable	REF
80A	M	16 mm ²	BAT/16069
	M	25 mm ²	BAT/15452
Contacts (pcs)		16 mm ²	BAT/16562
		25 mm ²	BAT/16565
Aux. contact kit (2 pcs) + adapter			BAT/16610
Handle for 80A (black)			BAT/15384

**METAL BATTERY HANDLE
EURO 160/320**



▶ **BAT/47893**
Metal handle

**BATTERY CONNECTOR:
F EURO 160A - DIN 43589**



TYPE		cable	REF
160A	V / F	25 mm ²	BAT/16072
	V / F	35 mm ²	BAT/15395
	V / F	50 mm ²	BAT/47231

Metal handle BAT/47893

**BATTERY CONNECTOR:
M EURO 160 A - DIN 43589
WITHOUT HANDLE**



TYPE		cable	REF
160A	M	25 mm ²	BAT/15797
	M	35 mm ²	BAT/15393
	M	50 mm ²	BAT/15394
Contacts (pcs)		25 mm ²	BAT/16574
		35 mm ²	BAT/16577
		50 mm ²	BAT/16580
Aux. contact kit (2 pcs)			BAT/16616
Handle (black)			BAT/15764

Metal handle BAT/47893

**BATTERY CONNECTOR:
F EURO 160A - DIN 43589 -
WITHOUT HANDLE**



TYPE		cable	REF
160A	V / F	25 mm ²	BAT/47953
	V / F	35 mm ²	BAT/48150
	V / F	50 mm ²	BAT/15389
Contacts (pcs)		25 mm ²	BAT/16583
		35 mm ²	BAT/16586
		50 mm ²	BAT/16589
Aux. contact kit (2 pcs)			BAT/16619
Handle (black)			BAT/15764

Metal handle BAT/47893

Accessories

BATTERY CONNECTORS

BATTERY CONNECTOR: F EURO 320 A - DIN 43589



TYPE		cable	REF
320A	V / F	50 mm ²	BAT/15793
	V / F	70 mm ²	BAT/15794
	V / F	95 mm ²	BAT/16077
Contacts (pcs)		50 mm ²	BAT/16598
		70 mm ²	BAT/16601
		95 mm ²	BAT/17806
Aux. contact kit (2 pcs) + adapter			BAT/16660
Handle (black)			BAT/15764

Metal handle BAT/47893

BATTERY CONNECTOR: M EURO 320 A - DIN 43589



TYPE		cable	REF
320A	M	50 mm ²	BAT/16074
	M	70 mm ²	BAT/16075
	M	95 mm ²	BAT/16076
Contacts (pcs)		50 mm ²	BAT/16592
		70 mm ²	BAT/16595
		95 mm ²	BAT/19589
Aux. contact kit (2 pcs) + adapter			BAT/16622
Handle (black)			BAT/15764

Metal handle BAT/47893

EURO CONNECTOR "AIR" Complete (case + adapter + handle + contacts)



TYPE	V/F	M
80 A	16 mm ²	BAT/17730
	25 mm ²	BAT/17732
160 A	25 mm ²	BAT/15727
	35 mm ²	BAT/16642
	50 mm ²	BAT/16645
320 A	50 mm ²	BAT/16102
	70 mm ²	BAT/16650
80 A Contact aux. (1pc.)	BAT/17736	
160 A Contact aux. (1pc.)	BAT/17829	
320 A Contact aux. (1pc.)	BAT/17410	
80 A Adapter blue	BAT/17734	BAT/17744
160 A Adapter blue	BAT/16194	BAT/17741
320 A Adapter blue	BAT/17263	BAT/17264

REMA MRC CONNECTORS

Molded REMA Connector



The MRC® Power Solution Series features:

- 75% current overload capability
- Fully compatible and interchangeable with existing cable and connector assemblies according to DIN 43589
- Connector housing and cable insulation material in one molded piece resulting in increased durability and environmental protection
- Acid-resistant housing and cable insulation
- RemaFlex® power cable suitable for applications requiring small bend radius
- Cable insulation and connector housing halogen free
- Operating temperature range: -40 °C to +120 °C
- Definition of new amperage classes:
 - MRC 120 > DIN 80
 - MRC 260 > DIN 160
 - MRC 400 > DIN 320



FEMALE CONNECTOR AND CABLE

Ref.	Amp (A)	Cable size (mm ²)	Lenght (mm)
BAT/50946	80	25	800
BAT/48862	80	25	1200
BAT/50950	160	35	1000
BAT/50951	160	35	1200
BAT/50952	160	35	1800
BAT/50953	160	50	1000
BAT/50954	160	50	1200
BAT/48676	160	50	1500
BAT/50955	160	50	1800
BAT/50956	320	70	1200
BAT/50957	320	95	2000
BAT/50958	320	95	2300



MALE CONNECTOR AND CABLE

Ref.	Amp (A)	Cable size (mm ²)	Lenght (mm)
BAT/50962	80	16	3000
BAT/48861	80	25	3000
BAT/50963	160	25	3000
BAT/50964	160	35	3000
BAT/50965	320	25	3000

BATTERY CONNECTOR PROTECTION



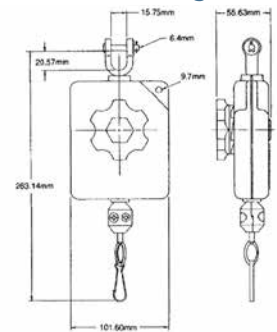
BAT/18931
Balancer 1-2 Kg
(1,6m)

BAT/18933
Support

BAT/36200
Bolt

BAT/17268
Brace

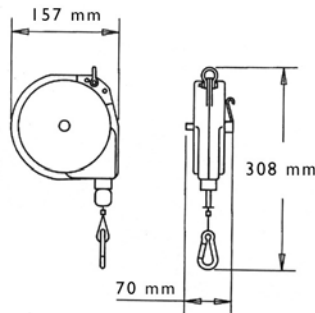
Standard-duty balancers 0,5 - 1,8 kg



- Long-life heavy-duty spring for lasting performance
- Easy tension adjustment, no tools required
- Full range of motion with 360° swivel hanger
- Quick installation
- Durable nylon cable for long life and reduced maintenance
- Convenient snap-type tool clip for easy tool handling
- Alignment of hanger and tool hook for smooth, efficient use

Ref	Cable travel (m)	Weight (kg)
BAT/50992	2	0,5 - 0,9
BAT/50993	2	0,9 - 1,8

Heavy-duty balancers 0,5 - 6,8 kg



- Easy tension adjustment, no special tools
- Heavy-duty steel construction for long life
- Easy spring replacement
- Long-lasting main spring designed to minimise spring flexing & fatigue
- Tool can be set in desired position with adjustable cable stop
- Durable 2,5 mm diameter stranded steel aircraft cable
- Ratchet lock holds cable in desired position

Ref	Cable travel (m)	Weight (kg)	Ratchet lock
BAT/50994	2,4	0,5 - 2,3	No
BAT/50995	2,4	0,5 - 2,3	Yes
BAT/50996	2,4	1,8 - 4,5	No

Complete

The connector saver offers a simple and inexpensive solution to a problem commonly to all users of electric trucks.

Potential problem:

Inadvertent damage to connectors and cabling results in high repair costs and replacements. Damaged cable is a fire and safety hazard.

Answer:

This is the only solution that retracts the cable safely whilst at the same time ensuring that there is virtually no tension on the battery connection during the charging operation. The complete kit with installation instructions includes: cable balancer – cable clamp – wall bracket and fixings. (several types available).

Ref	Cable length (mm)	Pull back force (kg)
BAT/51005	1600	1,8
BAT/51006	2000	2,7